



the ultimate guide to  
**WINDOW DÉCOR**

**FINISHING  
TOUCHES**

FOR YOUR HOME

READY MADE & MADE TO MEASURE BLINDS, CURTAIN TRACKS,  
POLES & RODS, DECORATIVE FINIALS, TIEBACKS & ACCESSORIES



## FINISHING TOUCHES IS FOR EVERYONE.

OUR CONSTANT INNOVATION HAS  
PLACED IN OVER 5 MILLION HOMES.

As a partner to over 1000 DIY and décor retailers, we are the leader in innovative and affordable window décor solutions which we manufacture, distribute and market in South Africa and neighboring countries. We provide your business with extensive product ranges for everyone's design tastes and our catalogue extends from elegant shutters, blinds, exquisite headboards, cornicing and skirting through to steadfast curtain rails and heavy-duty curtain rail systems.

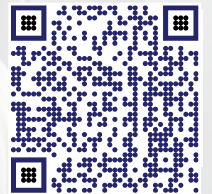
# DECORATIVE POLES AND ACCESSORIES

---

RIGHT ON THE EDGE

*All of our DIY ranges can be cut to size.*

*Scan here to view full range.*



**FINISHING  
TOUCHES**

FOR YOUR HOME

[www.finishingtouchessa.co.za](http://www.finishingtouchessa.co.za)

# 16mm CURTAIN POLE RANGE



16mm POLE - Brass

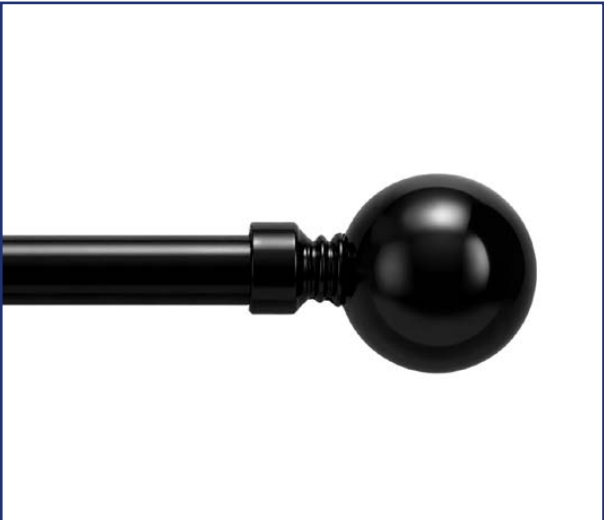


16mm POLE - Black

# 19mm CURTAIN POLE RANGE



19mm POLE - Chrome



19mm POLE - Black

## 25mm CURTAIN POLE RANGE



25mm SINGLE POLE  
- Ball Finial | Black



25mm SINGLE POLE  
- Ball Finial | Grey

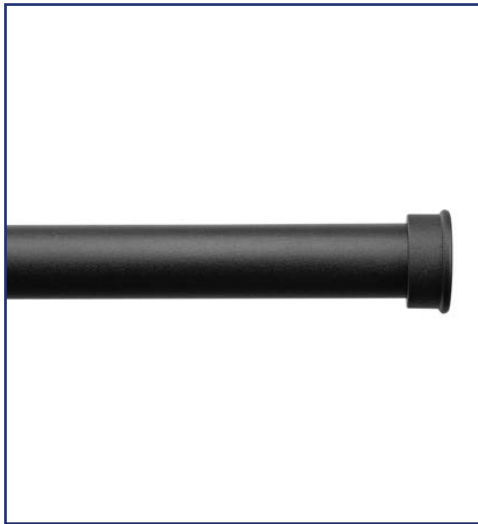


25mm C-TRACK POLE SET  
- Ball Finial | Black  
*\*Available In White*

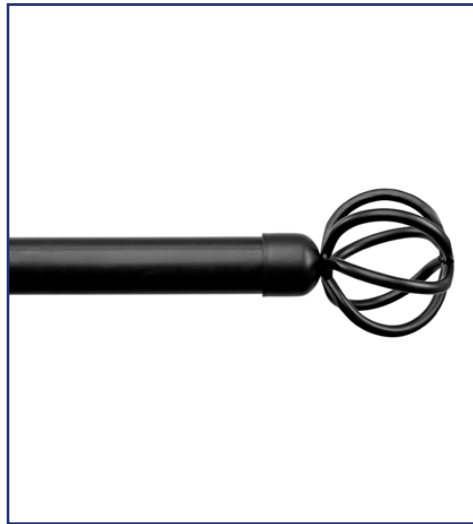


25mm C-TRACK POLE SET  
- End Cap Finial | Black  
*\*Available In White*

# 28mm CURTAIN POLE RANGE



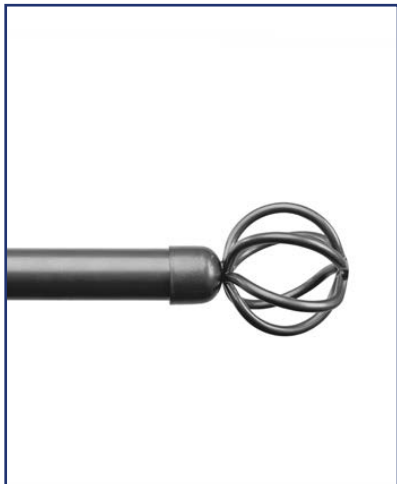
28mm GYPSY POLE  
- End Cap Finial | Matt Black



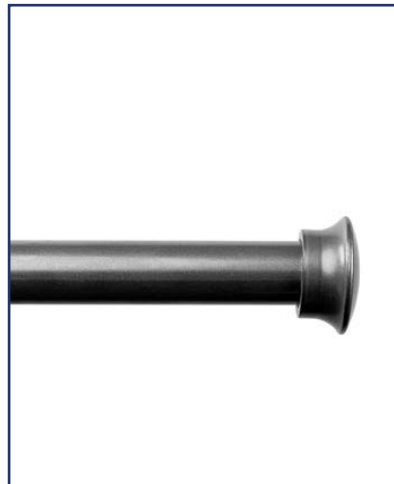
28mm GYPSY POLE  
- Basket Finial | Black



28mm GYPSY POLE  
- Ball Finial | Black



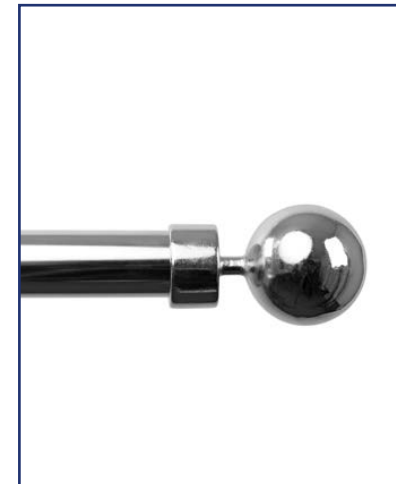
28mm SINGLE POLE  
- Basket Finial | Gun Metal



28mm SINGLE POLE  
- End Cap Finial | Gun Metal



28mm SINGLE POLE  
- End Cap Finial | Chrome



28mm SINGLE POLE  
- Ball Finial | Chrome

## AVAILABLE COLOURS



Black



Matt Black

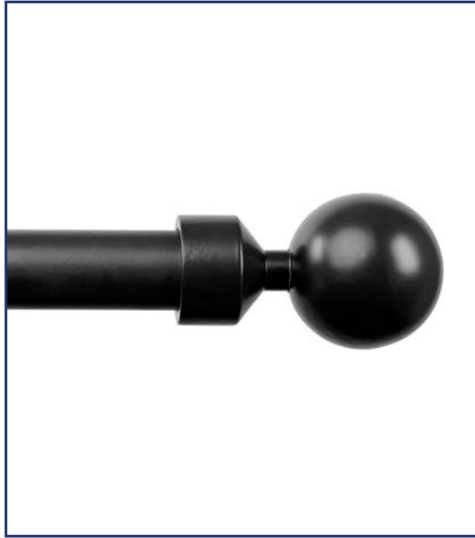


Gun Metal

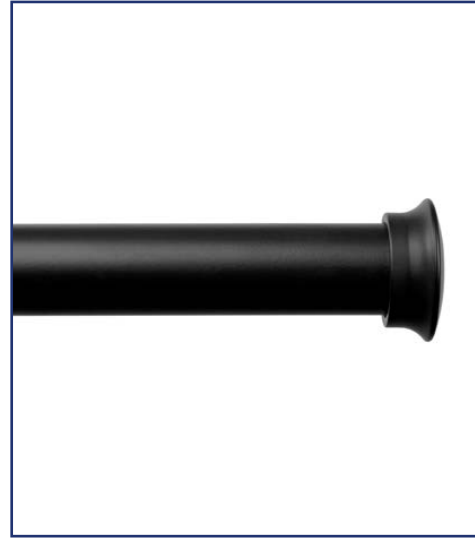


Chrome

## 32mm CURTAIN POLE RANGE



32mm ELEMENT POLE  
- Ball Finial | Black



32mm ELEMENT POLE  
- End Cap Finial | Black



32mm ELEMENT POLE  
- Ball Finial | Bronze

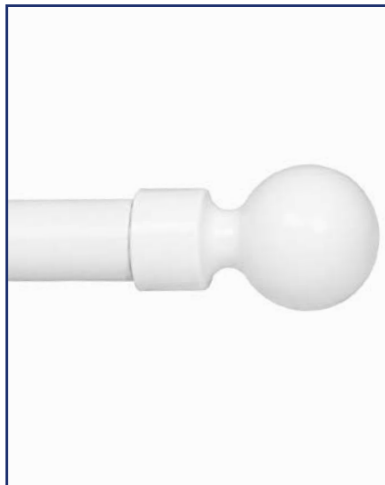


32mm ELEMENT POLE  
- Ball Finial | Silver

## 34mm CURTAIN POLE RANGE



34mm DESIGNER POLE  
- Sea Mist



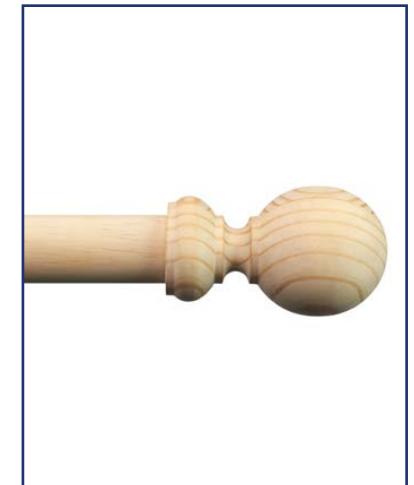
34mm DESIGNER POLE  
- White



34mm DESIGNER POLE  
- Auburn



34mm CLASSIC POLE  
- Dark Stain



34mm CLASSIC POLE  
- Natural

# 22mm **GOTHIC** POLE SETS

Ball Finial - Gun Metal



Ball Finial - Black



Ball Finial - Bronze



**INCLUDES:**

1 x 22mm diameter Curtain Pole

**LENGTHS AVAILABLE:**

1.5m, 2m, 2.5m, 3m & 3.5m

Matching Finials, Brackets  
& Curtain Rings Available



# 28mm **SINGLE POLE SETS**

Crystal Ball Finial



Clear Stacked Ball Finial



Designer Ring Finial



**INCLUDES:**

1 x 28mm diameter Curtain Pole  
2 x Finials  
Single Wall Mounted Brackets

**LENGTHS AVAILABLE:**

1.5m, 2m, 2.5m & 3m

Matching Brackets, Tiebacks  
& Curtain Rings Available



# 28mm **DOUBLE POLE SETS**

Gun Metal



Matt Black



**INCLUDES:**

2 x 28mm diameter Curtain Poles  
2 x End Caps  
Double Wall Mounted Brackets

**LENGTHS AVAILABLE:**

1.5m, 2m, 2.5m & 3m

\* Finials sold separately

Matching Tiebacks, Brackets  
& Curtain Rings Available



# 32mm **ELEMENT RANGE**

End Cap Finial - Black



Ball Finial - Bronze



Ball Finial - Silver



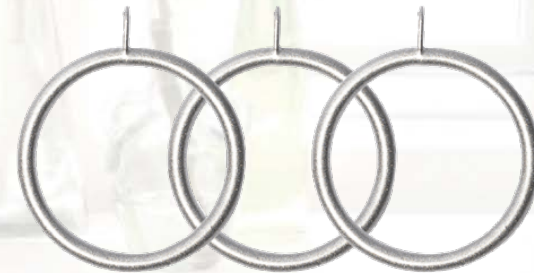
**INCLUDES:**

1 x 32mm diameter Curtain Pole

**LENGTHS AVAILABLE:**

1.5m, 2m, 2.5m, 3m & 3.5m

Matching Finials, Brackets  
& Curtain Rings Available



# 34mm **DESIGNER RANGE**

Ball Finial - Auburn



Ball Finial - Seamist



End Cap - Coffee Bean



**INCLUDES:**

1 x 34mm diameter Curtain Pole

**LENGTHS AVAILABLE:**

1.5m, 2m, 2.5m & 3m

Matching Finials, Brackets  
& Curtain Rings Available



# 34mm **CLASSIC RANGE**

Ball Finial - White



Classic Finial - Dark Stain



Ball Finial - Natural



**INCLUDES:**

1 x 34mm diameter Curtain Pole

**LENGTHS AVAILABLE:**

1.5m, 2m, 2.5m & 3m

Matching Tiebacks,  
Brackets & Curtain Rings  
Available





# DECORATIVE RANGES WITH CURTAIN RAILS

NATURAL BEAUTY AND STRENGTH

*All of our DIY ranges can be cut to size.*

Scan here to view full range.



**FINISHING  
TOUCHES**

FOR YOUR HOME

[www.finishingtouchessa.co.za](http://www.finishingtouchessa.co.za)



# 32mm CUBIC PELMET WITH C-TRACK

Anthracite



Dark Grey



Daytona Oak



**INCLUDES:**

1 x 32mm Cubic Pelmet with C-Track  
Plastic Brackets  
Matching End Caps

**LENGTHS AVAILABLE:**

1.5m, 2m, 2.5m & 3m



# 33mm HALF ROUND PELMET WITH DOUBLE C-TRACK

Mahogany



Sea Mist



German Silver



Chalkwash



**INCLUDES:**

1 x 33mm Half Round Pelmet with  
Double C-Track

Double Plastic Brackets

Matching End Caps

**LENGTHS AVAILABLE:**

1.5m, 2m, 2.5m & 3m



# 40mm PELMET WITH DOUBLE C-TRACK

Auburn



Champagne



Matt Silver



Oak Grey



**INCLUDES:**

1 x 40mm Pelmet with Double C-Track  
Double Plastic Brackets  
Matching End Caps

**LENGTHS AVAILABLE:**

1.5m, 2m, 2.5m & 3m



# 64mm PELMET WITH DOUBLE C-TRACK

Slate



Grey



**INCLUDES:**

1 x 64mm Pelmet with Double C-Track  
Double Plastic Brackets  
Matching End Caps

**LENGTHS AVAILABLE:**

1.5m, 2m, 2.5m & 3m



**NEW**  
100mm **DESIGNER**  
**PELMET WITH DOUBLE**  
**C-TRACK**

Auburn



Grey



**INCLUDES:**

1 x 100mm Pelmet with Double C-Track  
Double Metal Brackets  
Matching End Caps

**LENGTHS AVAILABLE:**

1.5m, 2m, 2.5m, 3m & 3.5m



# STEEL AND ALUMINIUM CURTAIN RAILS

KEEP IT ON TRACK

*Scan here for more information*

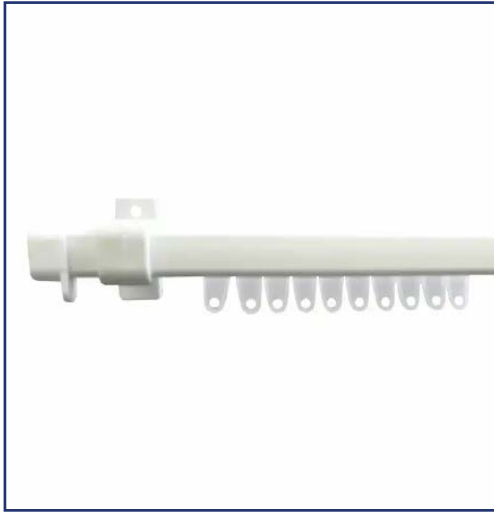


**FINISHING  
TOUCHES**

FOR YOUR HOME

[www.finishingtouchessa.co.za](http://www.finishingtouchessa.co.za)

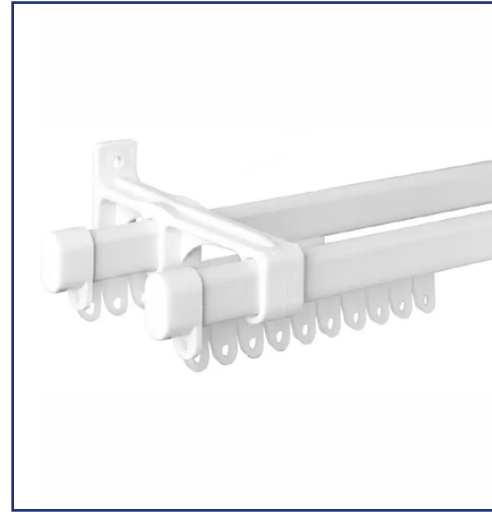
# STEEL CURTAIN TRACK



**SINGLE CURTAIN STEEL C-TRACK – WHITE**



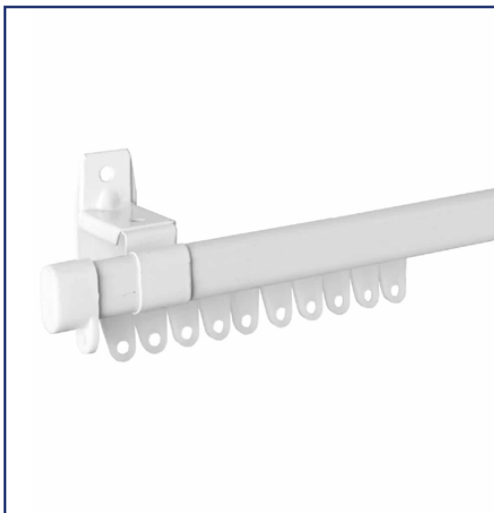
**SINGLE CURTAIN STEEL C-TRACK – BLACK**



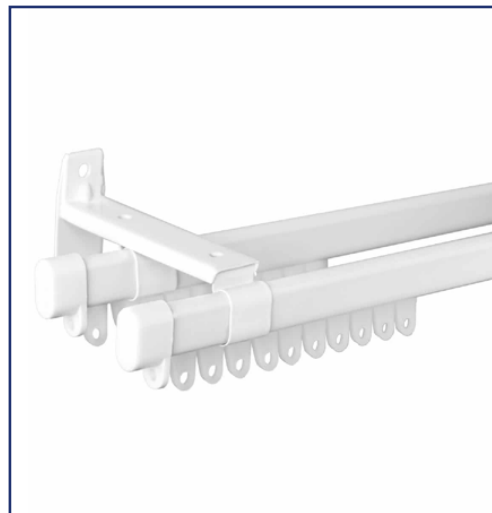
**DOUBLE CURTAIN STEEL C-TRACK – WHITE**



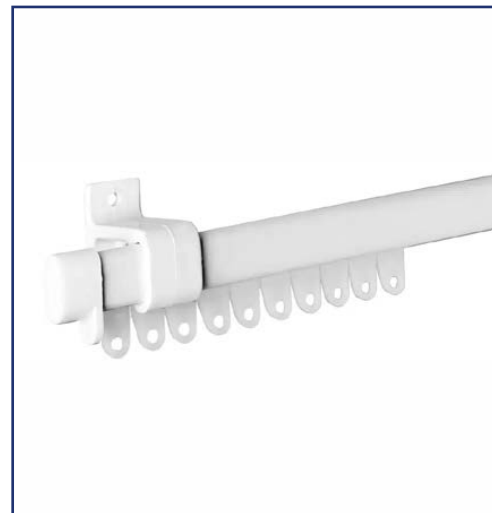
**DOUBLE CURTAIN STEEL C-TRACK – BLACK**



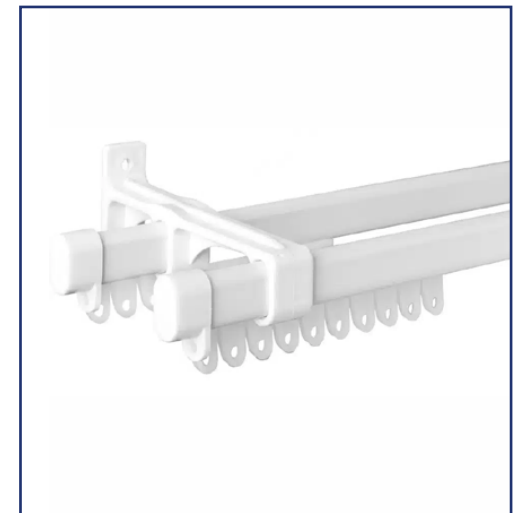
**SINGLE CURTAIN STEEL SUPER C-TRACK – WHITE**



**DOUBLE CURTAIN STEEL SUPER C-TRACK – WHITE**

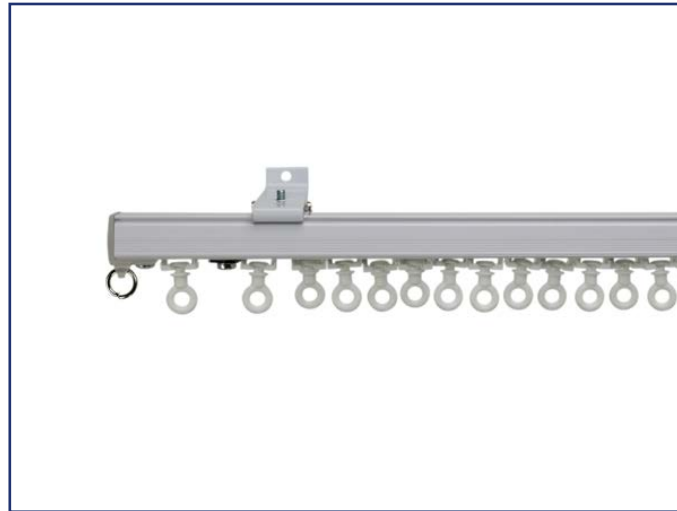


**SINGLE CURTAIN STEEL CLIPPER TRACK – WHITE**

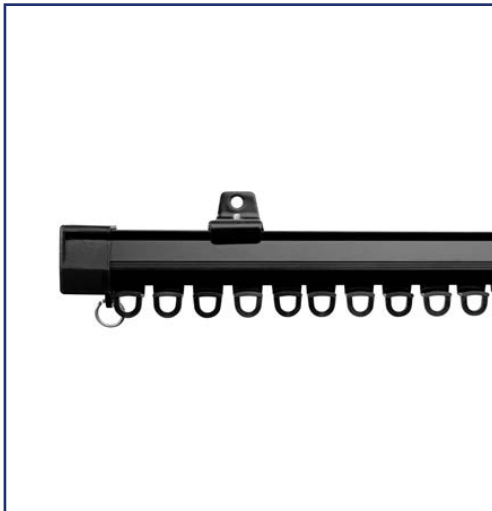


**DOUBLE CURTAIN STEEL CLIPPER TRACK – WHITE**

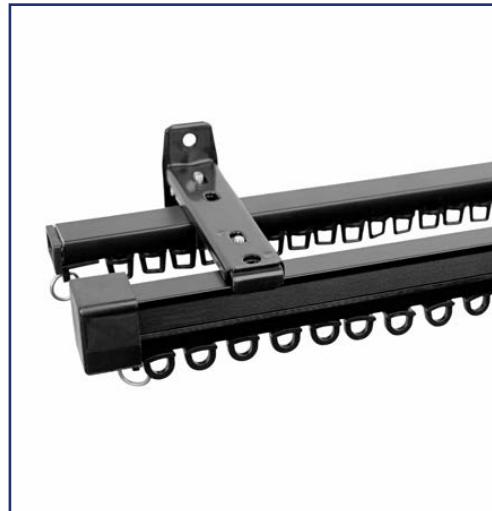
# ALUMINIUM CURTAIN TRACK



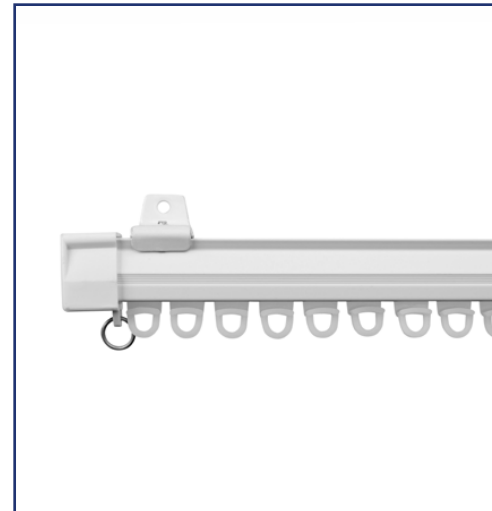
SINGLE WAVE TRACK



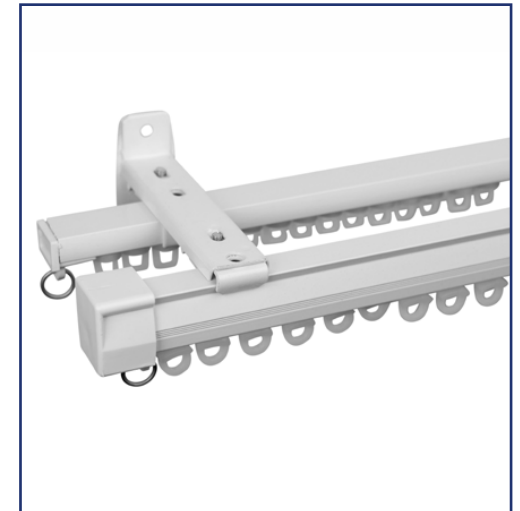
RACER SINGLE ALUMINIUM TRACK  
– Black



RACER DOUBLE ALUMINIUM TRACK  
– Black



RACER SINGLE ALUMINIUM TRACK  
– White



RACER DOUBLE ALUMINIUM TRACK  
– White

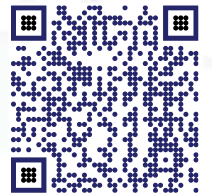


# READY MADE BLINDS

- Ready made in standard sizes
- Quick and easy to install
- Budget-friendly option
- Limited size and style choices



Scan here for more information



**FINISHING  
TOUCHES**

FOR YOUR HOME

[www.finishingtouchessa.co.za](http://www.finishingtouchessa.co.za)

# 25mm ALUMINIUM VENETIAN BLINDS



White



Bronze



Champagne



Satin Black



Silver

**FINISHING TOUCHES** 25mm ALUMINIUM VENETIAN BLINDS are timeless, neutral and smart; everything you could want from a contemporary blind. The lightweight, durable aluminium slats are robust and versatile. Perfect for any room, the tilting slats allow control over privacy and light levels. The convenient cord lock mechanism enables easy adjustment of slat height to suit your personal preferences.

## AVAILABLE IN A RANGE OF SIZES

470 x 900mm	1000 x 1600mm	1600 x 1600mm
600 x 1000mm	1000 x 2200mm	1600 x 2200mm
600 x 1600mm	1200 x 1000mm	1800 x 2100mm
600 x 2200mm	1200 x 1600mm	2000 x 1600mm
800 x 1200mm	1200 x 2200mm	2000 x 2400mm
800 x 2200mm	1400 x 1200mm	2200 x 1600mm
900 x 1600mm	1400 x 2200mm	2200 x 2400mm
960 x 1600mm	1500 x 1000mm	2400 x 1600mm
960 x 900mm	1500 x 1600mm	
1000 x 1000mm	1600 x 1000mm	

*\*Limited sizes in Satin Black*



Don't forget your handy  
**BLIND CLEANER!**

# 25mm PVC VENETIAN BLINDS



Black



Silver



Dark Grey



White



Champagne

No window dressing is more timeless than sleek Venetian Blinds. FINISHING TOUCHES BLACK 25mm PVC VENETIAN BLINDS have been created to endure high moisture and sunlight. Twist a simple, unobtrusive wand control to turn the slats and control the light in your space, or raise it altogether at the pull of a cord to let the light flood in. It's totally waterproof and wipe-clean too, so it's as easy to live with as it is easy on the eye.

## AVAILABLE IN A RANGE OF SIZES

470mm x 900mm

600mm x 1000mm

1000mm x 1000mm

1200mm x 1600mm

1500mm x 1600mm



Don't forget your handy  
**BLIND CLEANER!**

# BLOCKOUT ROLLER BLINDS

FINISHING TOUCHES BLOCKOUT ROLLER BLINDS are durable and practical. You can get full light control and privacy whilst enjoying the best interior style. Made from quality fabric that blocks out light, the simplicity of a roller blind can't be beaten.

# SHEER ROLLER BLINDS

FINISHING TOUCHES SHEER ROLLER BLINDS offer a hint of light control and privacy. These blinds will add a gentle wash of warmth to your window, this sheer roller blind is ideal for light and airy schemes, or spaces in need of limited light control. As well as offering privacy this blind will also reduce glare, making it ideal for sunny rooms. Watch television without glare, while still enjoying a light, bright space.

## ROLLER BLINDS ARE AVAILABLE IN A RANGE OF SIZES

600mm x 1600mm
1000mm x 1600mm
1200mm x 2100mm
1600mm x 2100mm
1800mm x 2100mm



Graphite



Grey



Natural



Natural



Grey



Graphite



White

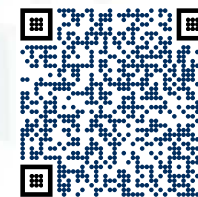


# TRIM TO FIT BLINDS

With Trim to Fit we carefully trim the blinds to your exact measurements, ensuring a precise fit for your unique window size. This gives you the flexibility of a custom blind with the convenience of a ready-made product, without the long wait time. Simply choose your blind, add your window measurements, and get the perfect fit!

- Ready made but trimmed to your exact measurements
- Quick and easy to install
- Available in select styles and materials

Scan here for more information



**FINISHING  
TOUCHES**

FOR YOUR HOME

[www.finishingtouchessa.co.za](http://www.finishingtouchessa.co.za)

# NEW TRIM TO FIT NAILLESS BLOCKOUT ROLLER BLINDS



Grey



Dark Grey



White



Ivory

**Finishing Touches Nailless Blockout Roller Blinds** – often referred to as no-drill or tension-mount blinds – offer the ultimate damage-free window dressing solution by completely eliminating the need for screws, nails, or power tools.

These innovative window coverings utilize a clever internal tension mechanism that expands outward, gripping the inside of the window recess securely by friction alone. Despite the tool-free setup, they deliver the exact same high-performance functionality as traditional roller blinds. Our blinds feature a durable, coated textile backing that guarantees 100% light blockout and maximum privacy.

Because they leave zero marks, holes, or adhesive residue behind, they are an exceptionally popular, renter-friendly choice for apartments, temporary office spaces, and bedrooms where preserving the integrity of walls and window frames is a top priority.

**AVAILABLE IN A RANGE OF STANDARD SIZES,  
TRIMMED TO YOUR CUSTOM SIZE:**

600mm x 900mm
900mm x 900mm
1000mm x 900mm
1500mm x 900mm
1500mm x 1500mm

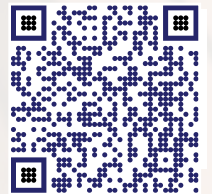
*\*Only available 1st August 2026*

# MADE-TO- -MEASURE BLINDS

CHECK YOUR BLIND SPOT

FINISHING TOUCHES DELIVERS  
A FULL MADE TO MEASURE SERVICE  
AND INSTALLATIONS.

*Scan here for more information*



**FINISHING  
TOUCHES**

FOR YOUR HOME

[www.finishingtouchessa.co.za](http://www.finishingtouchessa.co.za)



**ALUMINIUM VENETIAN BLINDS**



**WOODEN VENETIAN BLINDS**



**VERTICAL BLINDS**



**ROLLER BLINDS**



**DAY AND NIGHT BLINDS**



**BAMBOO BLINDS**



# MADE-TO -MEASURE RODS & RAILS

---

CUSTOMISED TO  
YOUR SPECIFICATIONS

FINISHING TOUCHES DELIVERS  
A FULL MADE TO MEASURE SERVICE  
AND INSTALLATIONS.

**FINISHING  
TOUCHES**

FOR YOUR HOME

[www.finishingtouchessa.co.za](http://www.finishingtouchessa.co.za)



RIJKO HOSPITAL CURTAIN TRACK



GOELST MOTORISED TRACK



WAVE TRACK



SUPERLINE TRACK WITH A PULLY SYSTEM



RACER TRACK 90 DEGREE BEND OUTSIDE



# DESIGNER SHUTTERS

## CHOICE MATERIALS

### ALUMINIUM SECURITY

- Resistant to all the elements like moisture, heat and steam
- A versatile yet elegant solution for your home.
- Vertical locking mechanisms for added security.
- Available in security and non-security.
- An excellent way of adding value to your home.

### WOODEN SHUTTERS

- Manufactured to the highest quality and standards from Phoenix Wood, a solid wood, light in weight and colour while offering strength to our product.
- Has a natural resistance to wood borer and adapts to a range of temperatures.
- Provides natural repulsion to insects due to its silica content.
- For internal use only.

### VINYL

- Weather resistant and maintenance free offering exterior and interior solutions.
- Being plastic based, these shutters are easy to clean and are less likely to get mould or decay.
- Lightweight and easy to install.

### HINGED

- This application is used mainly on windows or single doors.

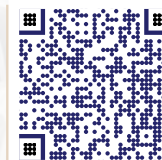
### BI-FOLD

- This application is suitable for large windows and doorways.

### BI-PASS

- This application is used where space does not allow for panels to open outward.

Scan here for more information



**FINISHING  
TOUCHES**

FOR YOUR HOME

[www.finishingtouchessa.co.za](http://www.finishingtouchessa.co.za)

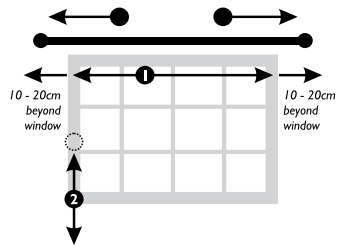


# handy hints

## & INSTRUCTIONS FOR MEASURING WINDOWS FOR BLINDS, RODS AND TIE BACKS

The secret to creating the perfect window setting is in the measurements. The guides will assist you to correctly measure your windows for blinds, curtains, rods and tie backs.

### MEASURING FOR RODS & TIE BACKS



#### RODS

Measure the inside width of the window.

Rods should extend 10-20cm beyond the window on each side. Measure the height according to your existing or new curtain height.

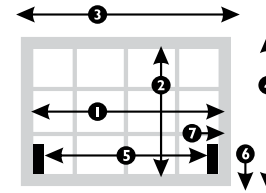
#### TIE BACKS

Tie backs should be installed approximately 1 metre from the floor.

#### FINIALS

Ensure there is space for your chosen finial at either end of the rod. If space is limited, consider an end cap finial.

### MEASURING FOR BLINDS



#### INSIDE MEASUREMENT

Check that nothing is protruding into recess area where the blind will hang (i.e. burglar bars)

- 1 Inside reveal width (take x 3 times: top, middle, bottom: use smallest size)
- 2 Inside reveal drop (take x 3 times: left, middle, right: use smallest size)

#### OUTSIDE MEASUREMENT

- 3 We recommend 10cm overlap on each side of the window
- 4 We recommend 10cm overlap on the top of the width of the window

#### Cut-out blinds

- 5 Measure the width between the tiles
- 6 Measure the drop of the tile itself
- 7 Measure the width of the tile itself

## remember!

- 1 Always use a metal tape measure as plastic and cloth tapes may stretch
- 2 Please supply your measurements to us in millimetres
- 3 Even 5mm can make the difference between a good fit and a bad one!

# FINISHING TOUCHES

FOR YOUR HOME

Physical Address: Ergon Factory Park, Ergon Street, Lyttleton Manor, Pretoria, South Africa, 0157

Tel: +27 12 664 4825 | Email: [info@finishingtouchessa.co.za](mailto:info@finishingtouchessa.co.za) | Website: [www.finishingtouchessa.co.za](http://www.finishingtouchessa.co.za)