

the ultimate guide to

WINDOW DÉCOR

READY MADE & MADE TO MEASURE BLINDS, CURTAIN TRACKS,
POLES & RODS, DECORATIVE FINIALS, TIEBACKS & ACCESSORIES

**FINISHING
TOUCHES**

FOR YOUR HOME



FINISHING TOUCHES IS FOR EVERYONE.

OUR CONSTANT INNOVATION HAS PLACED
US IN OVER 5 MILLION HOMES.

As a partner to over 500 DIY and décor retailers, we are the leader in innovative and affordable window décor solutions which we manufacture, distribute and market in South Africa and neighboring countries. We provide your business with extensive product ranges for everyone's design tastes and our catalogue extends from elegant shutters, blinds, exquisite headboards, cornicing and skirting through to steadfast curtain rails and heavy-duty curtain rail systems.

DECORATIVE POLES AND ACCESSORIES

RIGHT ON THE EDGE

All of our DIY ranges can be cut to size.

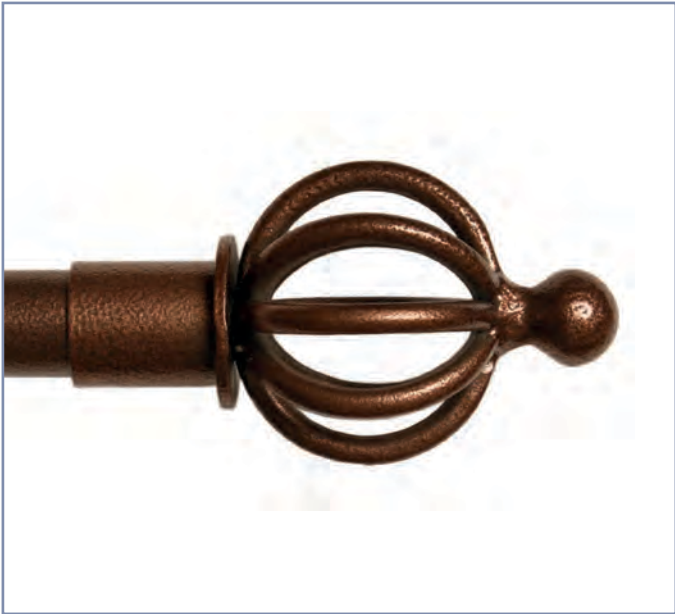
Scan here to view full range.



**FINISHING
TOUCHES**

FOR YOUR HOME

www.finishingtouchessa.co.za



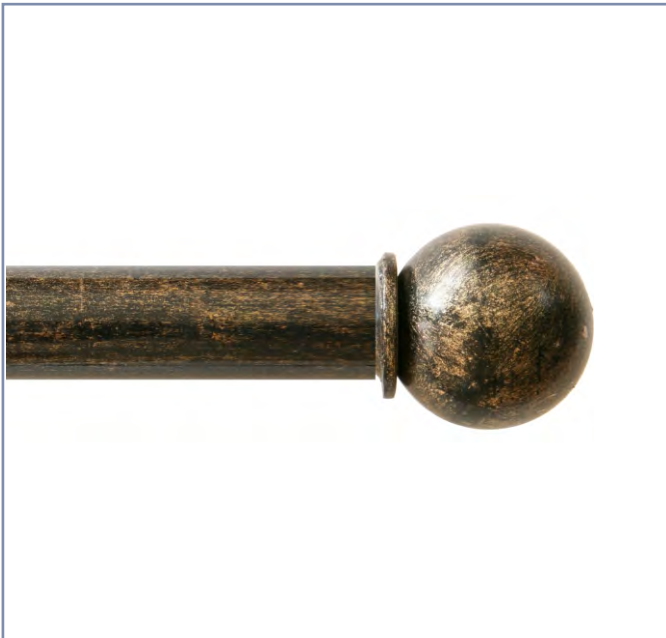
22mm CHARIOT POLE RANGE



28mm CHROME RANGE



32mm ELEMENT RANGE



22 mm GOTHIC SINGLE POLE RANGE



28 mm SINGLE POLE RANGE



28mm WROUGHT IRON DOUBLE POLE RANGE



16mm BRASS RANGE



19mm CHROME RANGE



28mm GYPSEY RANGE



34 mm DESIGNER RANGE



34 mm CLASSIC RANGE

28mm **SINGLE POLE SET**

Crystal Ball



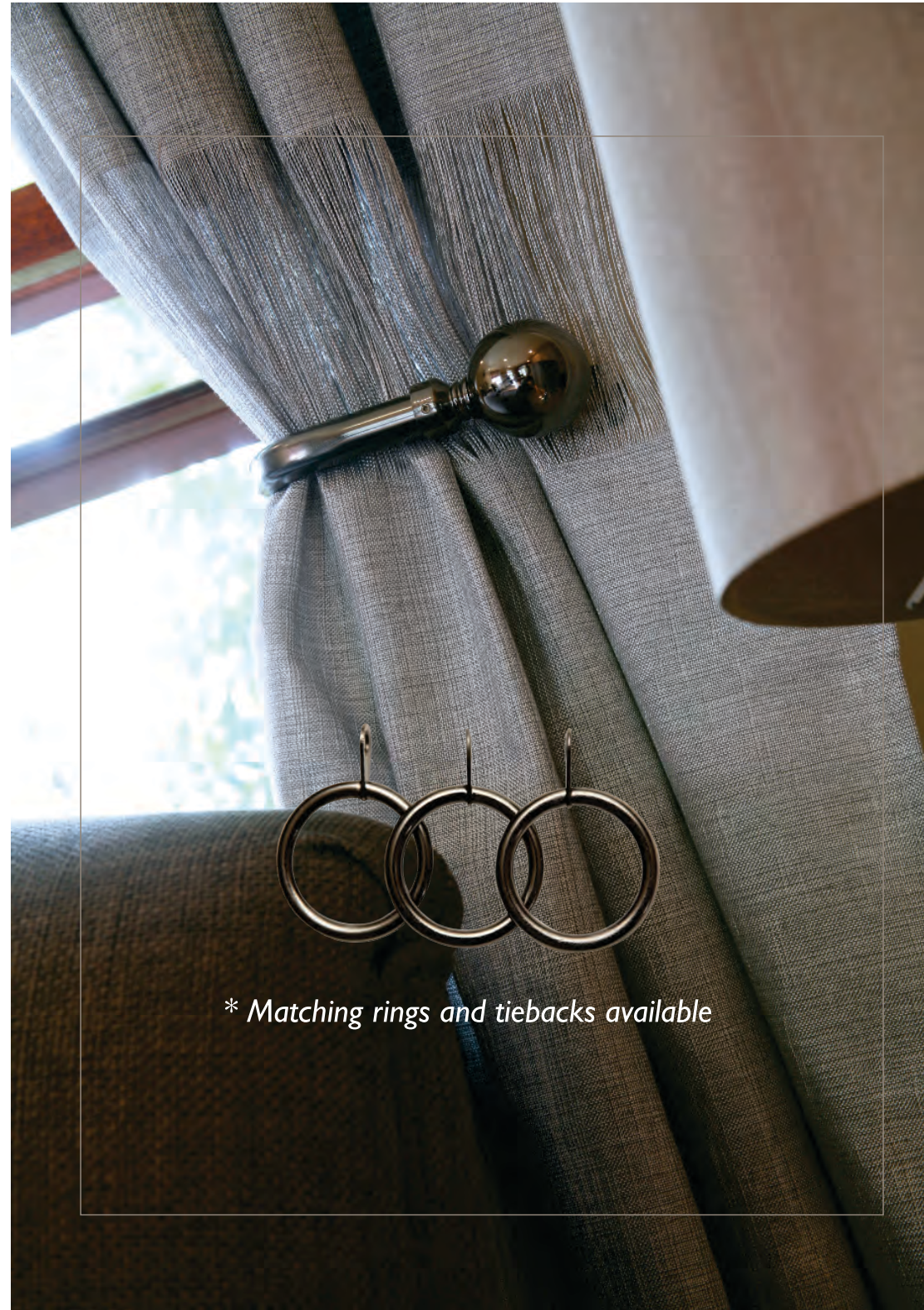
Stacked Ball Finial - Clear



Designer Ring



Includes: 1x Pole, 2x Finials and Wall Brackets
Sizes available: 1.5m, 2m, 2.5m, 3m



** Matching rings and tiebacks available*

28mm **DOUBLE POLE SETS**

Gun Metal



Matt Black



Size available: 1.5m, 2m, 2.5m, 3m

Includes: 2x Poles, 2x End Caps and Wall Brackets

** Finials sold separately*

NEW
Tiebacks available!



32mm **ELEMENT** RANGE



End Cap - Black



Ball Finial - Bronze



Ball Finial - Silver



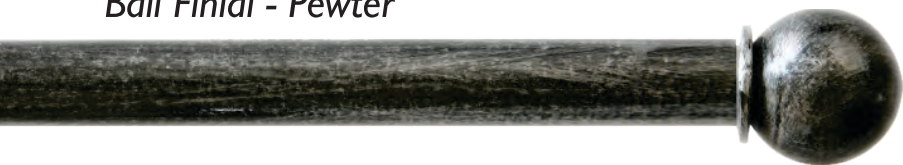
Size available: 1.5m, 2m, 2.5m, 3m, 3.5m



** Matching finials, rings and brackets available.*

22mm GOTHIC POLE SETS

Ball Finial - Pewter



Ball Finial - Bronze



Ball Finial - Black



Includes: 1 x Pole

Sizes available: 1.5m, 2m, 2.5m, 3m

** Matching finials, brackets and rings available*



22mm CHARIOT POLE SETS

Basket Finial - Copper



End Cap - Copper



Sizes available: 1.5m, 2.5m, 3m, 3.5m

** Matching tiebacks, rings and brackets available*



34mm
**DESIGNER
RANGE**

Ball Finial - Auburn



Ball Finial - Seamist



End Cap - Coffee Bean



Sizes available: 1.5m, 2m, 2.5m, 3m



** Matching rings, brackets and tiebacks available*

34mm

CLASSIC RANGE

Ball Finial - White



Ball Finial - Dark Stain



Classic Finial - Natural



** Matching rings, brackets and tiebacks available*

Sizes available: 1m, 1.5m, 2m, 3m

DECORATIVE RANGES WITH CURTAIN RAILS

NATURAL BEAUTY AND STRENGTH

All of our DIY ranges can be cut to size.

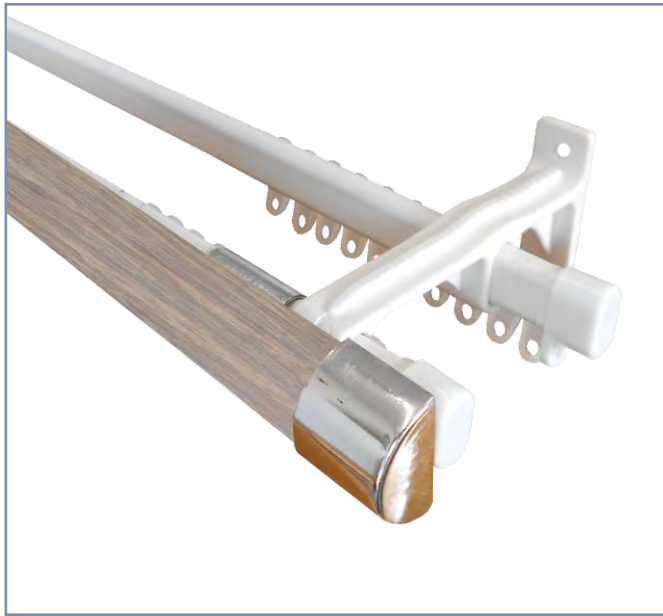
Scan here to view full range.



**FINISHING
TOUCHES**

FOR YOUR HOME

www.finishingtouchessa.co.za



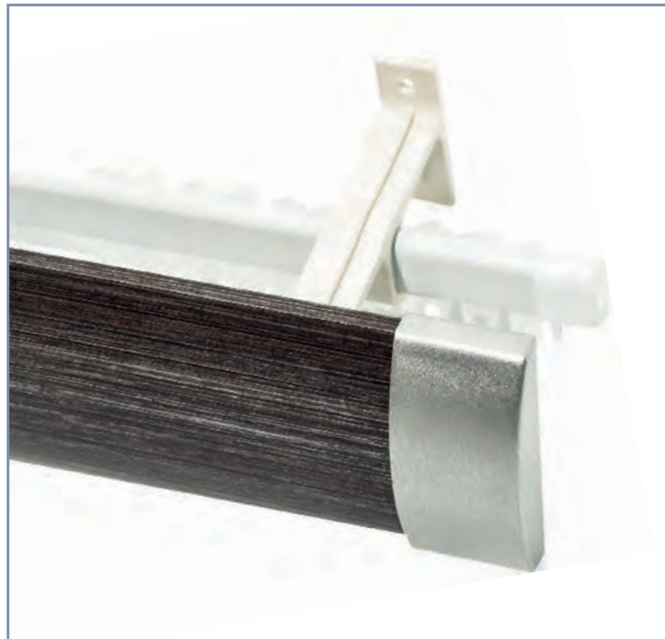
33 mm HALF ROUND PELMET POLE RANGE



40 mm PELMET POLE RANGE



63 mm HALF ROUND PELMET POLE RANGE



64 mm PELMET POLE RANGE



105 mm PELMET POLE RANGE

33mm **HALF ROUND** RANGES



ROD AND TRACK

Sea Mist



Mahogany



Beech



Also available in: Chalkwash and German Silver

Includes: 1x Rod on Double "C" Track, Plastic Brackets with 2x End Caps

Sizes available: 1.5m, 2m, 2.5m, 3m



Set includes 1x pelmet on Double C-track,
Plastic brackets with 2x End caps
Sizes available: 1.5m, 2m, 2.5m and 3m

40mm **PELMET POLES** ROD AND TRACK

Mahogany



Albaster Oak



Daytona Oak



64mm **PELMET POLES** ROD AND TRACK

Grey



Slate



** Matching tiebacks available*



Includes: 1x Pelmet on Double "C" Track, Plastic Brackets with 2x End Caps
Sizes available: 1.5m, 2m, 2.5m, 3m



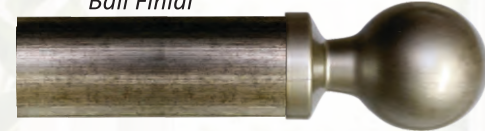
Includes: 1x Pole on Double "C" Track, Steel Brackets with 2x Finials (Ball or End Cap)
Sizes available: 2m, 2.5m, 3m

63mm **CLASSIC** POLE SETS ROD AND TRACK

German Silver
End Cap



Ball Finial



Auburn
End Cap



Ball Finial



Elegance and
SIMPLICITY
made *EASY!*

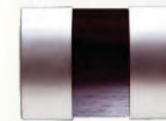
105mm **DESIGNER** PELMET POLES ROD AND TRACK

Mahogany



+

*Matching
Tiebacks*



Monsoon Grey



+



German Silver



+



Includes: 1x Pelmet on Double "C" Track, Steel Brackets with 2x End Caps
Sizes available: 1.5m, 2m, 2.5m, 3m, 3.5m



READY-MADE BLINDS

ULTIMATE VERSATILITY



Scan here for more information



**FINISHING
TOUCHES**
FOR YOUR HOME

www.finishingtouchessa.co.za

25MM ALUMINIUM VENETIAN BLINDS



White

Bronze

Onyx

Silver

Champagne

Timeless, easy care aluminium blinds are available in six trendy colours and a variety of sizes (width x drop, mm).

	470x 900	600x 1000	600x 1600	900x 1600	960x 1600	960x 900	1000x 1000	1200x 1600	1500x 1000	1500x 1600	1800x 2100	* New sizes available			
												1600x 2200	2000x 1600	2000x 2400	2400x 1600
Bronze	●	●	●	●		●	●	●	●	●	●	●	●	●	●
Onyx	●	●	●	●	●		●	●	●	●	●				
Silver	●	●	●	●	●	●	●	●	●	●	●	●	●	●	●
White	●	●	●	●	●	●	●	●	●	●	●	●	●	●	●
Champagne	●	●		●	●	●	●	●	●		●	●	●	●	●

25MM PVC BLINDS



Dark Grey

White

Champagne

Timeless, easy care PVC blinds are available in three trendy colours and in the sizes in the table below:

	470x 900	600x 1000	1000x 1000	1200x 1600	1500x 1600
Dark Grey	●	●	●	●	●
White	●	●	●	●	●
Champagne	●	●	●	●	●

Colours available:



Don't forget your handy
BLIND CLEANER!

MADE-TO- -MEASURE BLINDS

CHECK YOUR BLIND SPOT

FINISHING TOUCHES DELIVERS
A FULL MADE TO MEASURE SERVICE
AND INSTALLATIONS.

Scan here for more information



**FINISHING
TOUCHES**

FOR YOUR HOME

www.finishingtouchessa.co.za



ALUMINIUM VENETIAN BLINDS



WOODEN VENETIAN BLINDS



VERTICAL BLINDS



ROLLER BLINDS



DAY AND NIGHT BLINDS



BAMBOO BLINDS

ADD SOME FINISHING Touches



Bendable tiebacks:
* Available in Grey and Cream



Small tieback with tassel:
* Available in Grey, Brown & Cream



Fabric tieback:
* Available in Brown



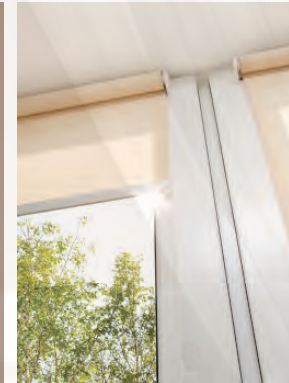
Aluminium Venetian



Wooden Venetian



Roller



Double Roller Blind



Vertical



Fabric Roman

MADE TO MEASURE BLINDS

Finishing Touches offer a comprehensive selection of made to measure blinds and shutters with countless colours and styles to choose from, ensuring that you'll find your perfect window décor solution.

Our Made to measure service offers the following:

- Designer custom-made rods, finials and tiebacks
- Custom-made blinds
- Custom-made curtains
- Full installation services in selected areas

SHUTTERS





STEEL AND ALUMINIUM CURTAIN RAILS

KEEP IT ON TRACK

Scan here for more information



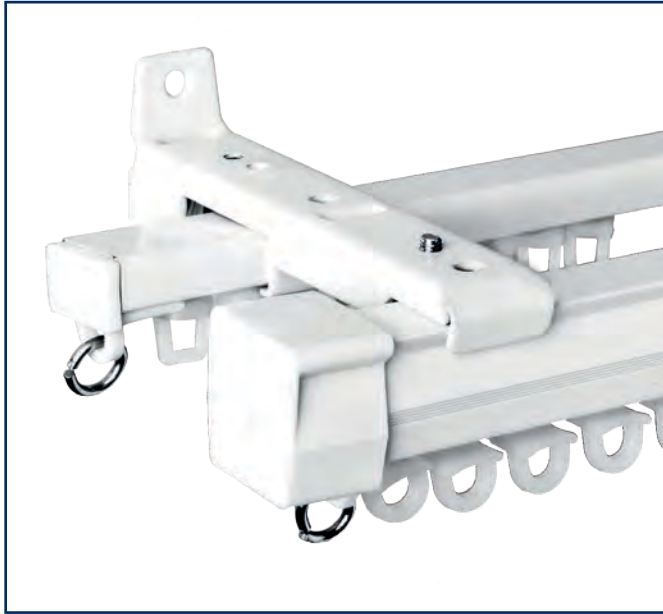
**FINISHING
TOUCHES**

FOR YOUR HOME

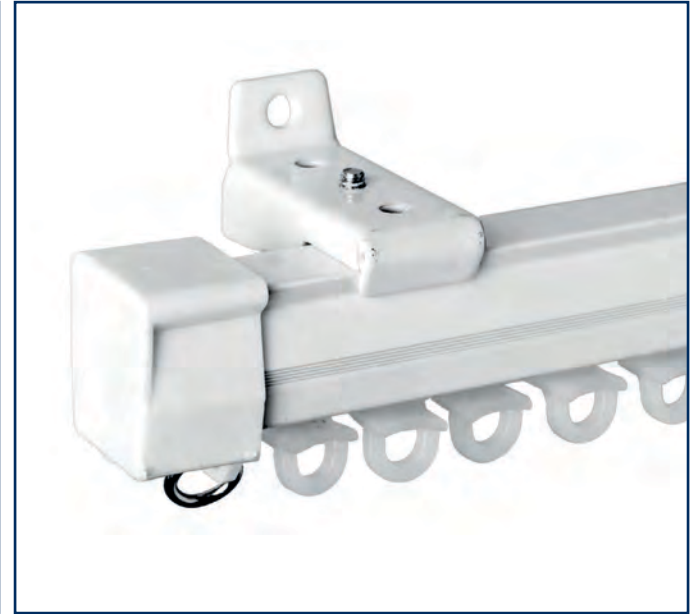
www.finishingtouchessa.co.za



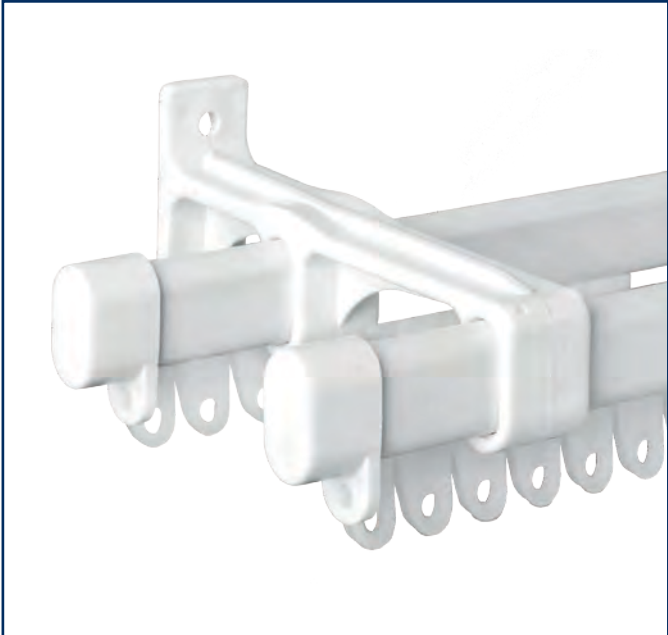
SUPERLINE DOUBLE ALUMINIUM TRACK



RAIDER DOUBLE ALUMINIUM TRACK



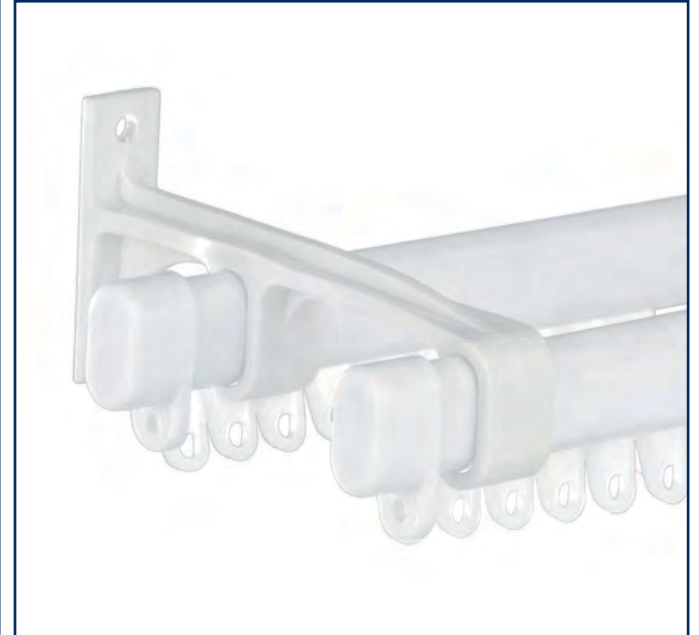
RAIDER SINGLE ALUMINIUM TRACK



DOUBLE CLIPPA PLASTIC BRACKETS



SINGLE CLIPPA PLASTIC BRACKETS



CONTRACTOR DOUBLE TRACK



MADE-TO -MEASURE RODS & RAILS

CUSTOMISED TO
YOUR SPECIFICATIONS

FINISHING TOUCHES DELIVERS
A FULL MADE TO MEASURE SERVICE
AND INSTALLATIONS.

Scan here for more information



**FINISHING
TOUCHES**

FOR YOUR HOME

www.finishingtouchessa.co.za



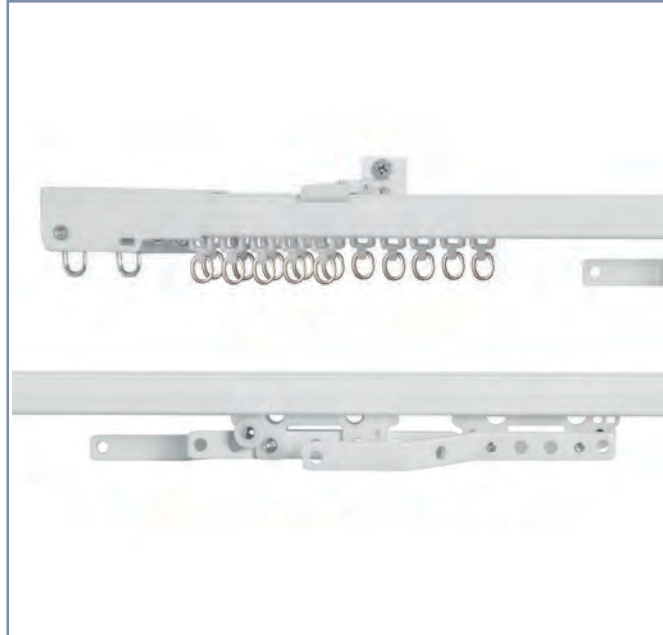
RIJKO HOSPITAL CURTAIN TRACK



GOELST FLOW BOVENAF HOSPITAL TRACK



WAVE TRACK



SUPERLINE TRACK WITH A PULLY SYSTEM



RACER TRACK 90 DEGREE BEND OUTSIDE

DESIGNER HEADBOARDS

JUST FOR YOU

MADE TO MEASURE AND READY MADE
DESIGNER HEADBOARDS

Scan here for different designs and fabric.



**FINISHING
TOUCHES**

FOR YOUR HOME

www.finishingtouchessa.co.za



DESIGNER READY MADE AND MADE TO MEASURE HEADBOARDS

Finishing Touches offers a choice of six exciting designs, and a variety of exquisite fabric options. Simply give us the size... and leave the rest to us!

Different styles and material available!



PLAIN



HORIZONTAL PANELS



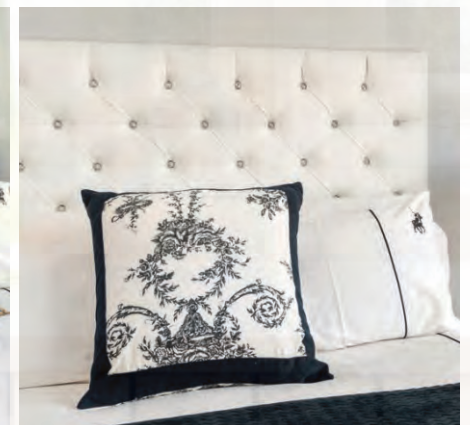
VERTICAL PANELS



METAL BUTTONS



BUTTONED



DIAMOND BUTTONS

Fashion is what you buy. *Style is what you do with it.*

DESIGNER SKIRTING

PRECISION AND PERFECTION

AVAILABLE IN FIVE DIFFERENT COLOURS
(PLUS NATURAL)

Available in two sizes:

12x70x2700mm

or

12x100x2700mm

Scan here for more information



**FINISHING
TOUCHES**

FOR YOUR HOME

www.finishingtouchessa.co.za

SKIRTINGS

These high quality, embossed wrapped skirtings are ideal for any home, or office, because they are water and scratch resistant.

APPLICATION GUIDE:

SELF-ADHESIVE SKIRTINGS

TESA TAPE

- The workplace must be free of dirt, dust, grease, oil, moisture and other contaminants.
- The wall (surface) must be cleaned free of dirt and dry.
- The recommended application temperature is between 15°C and 35°C
- Remove the liner from the skirting board (panel).
- Line up or carefully position the skirting board (panel).
- Position the skirting board onto the wall.
- Apply sufficient pressure using a tool across the face of the panel.

NON SELF-ADHESIVE SKIRTINGS

- The workplace must be free of dirt, dust, grease, oil, moisture and other contaminants.
- The wall (surface) must be cleaned free of dirt and dry.
- The recommended application temperature is between 15°C and 35°C
- Remove the liner from the skirting board (panel).
- Line up or carefully position the skirting board (panel).
- Position the skirting board onto the wall.
- Apply sufficient pressure. A good tip: Use a rubber mallet or the side of your fist to ensure correct pressure. (This is extremely important for good adhesion.)



EBONY



GREY WASHED OAK



ROUGH SAWN



ALABASTER OAK



WHITE

ADDITIONAL INFORMATION

FIXING:

- Use “No More Nails” or similar product
- No more glue required
- Just cut peel and stick
- Hi tech industrial double sided tape

CUTTING:

- If using “Hand Saw” paper coating must face upwards.
- IF USING ELECTRIC MACHINE, SKILL SAW OR JIG SAW PAPER MUST FACE DOWNWARDS.

CLEANING:

- Use a damp cloth.

COATING:

- 3D Water resistant paper wrap.



DESIGNER SHUTTERS

CHOICE MATERIALS

ALUMINIUM SECURITY

- Resistant to all the elements like moisture, heat and steam
- A versatile yet elegant solution for your home.
- Vertical locking mechanisms for added security.
- Available in security and non-security.
- An excellent way of adding value to your home.

WOODEN SHUTTERS

- Manufactured to the highest quality and standards from Phoenix Wood, a solid wood, light in weight and colour while offering strength to our product.
- Has a natural resistance to wood borer and adapts to a range of temperatures.
- Provides natural repulsion to insects due to its silica content.
- For internal use only.

VINYL

- Weather resistant and maintenance free offering exterior and interior solutions.
- Being plastic based, these shutters are easy to clean and are less likely to get mould or decay.
- Lightweight and easy to install.

HINGED

- This application is used mainly on windows or single doors.

BI-FOLD

- This application is suitable for large windows and doorways.

BI-PASS

- This application is used where space does not allow for panels to open outward.

Scan here for more information



**FINISHING
TOUCHES**
FOR YOUR HOME

www.finishingtouchessa.co.za

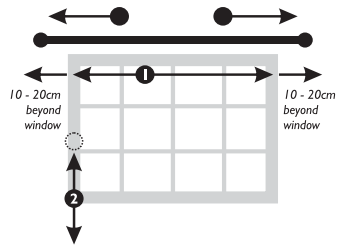


handy hints

& INSTRUCTIONS FOR MEASURING WINDOWS FOR BLINDS, RODS AND TIE BACKS

The secret to creating the perfect window setting is in the measurements. The guides will assist you to correctly measure your windows for blinds, curtains, rods and tie backs.

MEASURING FOR RODS & TIE BACKS



RODS

Measure the inside width of the window.

Rods should extend 10-20cm beyond the window on each side. Measure the height according to your existing or new curtain height.

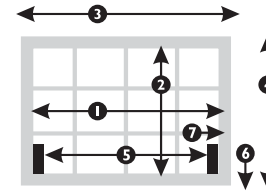
TIE BACKS

Tie backs should be installed approximately 1 metre from the floor.

FINIALS

Ensure there is space for your chosen finial at either end of the rod. If space is limited, consider an end cap finial.

MEASURING FOR BLINDS



INSIDE MEASUREMENT

Check that nothing is protruding into recess area where the blind will hang (i.e. burglar bars)

- 1 Inside reveal width (take x 3 times: top, middle, bottom: use smallest size)
- 2 Inside reveal drop (take x 3 times: left, middle, right: use smallest size)

OUTSIDE MEASUREMENT

- 3 We recommend 10cm overlap on each side of the window
- 4 We recommend 10cm overlap on the top of the width of the window

Cut-out blinds

- 5 Measure the width between the tiles
- 6 Measure the drop of the tile itself
- 7 Measure the width of the tile itself

remember!

- 1 Always use a metal tape measure as plastic and cloth tapes may stretch
- 2 Please supply your measurements to us in millimetres
- 3 Even 5mm can make the difference between a good fit and a bad one!

FINISHING
TOUCHES

FOR YOUR HOME

Physical Address: Ergon Factory Park, Ergon Street, Lyttleton Manor, Pretoria, South Africa, 0157

Tel: +27 12 664 4825 | Email: info@finishingtouchessa.co.za | Website: www.finishingtouchessa.co.za